



CONSSIN
LIGHTING.CO.LTD

PANORAMIC

360° LED LIGHT



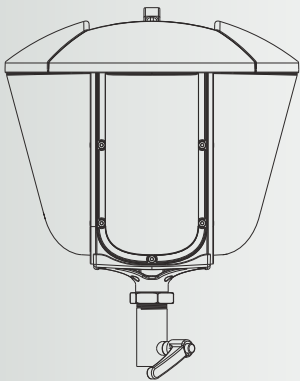
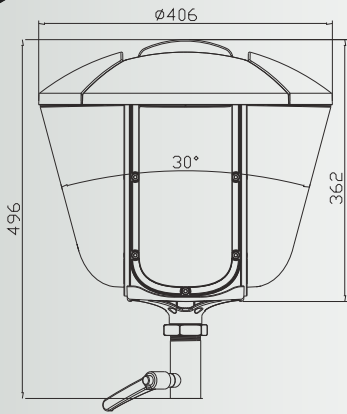
- 50000h**
Lifetime Range
- 40°C ~ +50°C**
Working Temperature
- 100-277AC**
Voltage Range
- 3000K, 4000K, 5000K**
Color Temperature

WORK FLARE C

- LONG-LIFE CREE HIGH EFFICIENCY 110LM/W LED CHIP
- MEANWELL DRIVER WITH VERY LONG-LIFE TIME EXPECTANCY
- UNIFORMED LIGHTING DISTRIBUTION
- LIGHTING DIFFUSER MINIMISING GLARE
- EASY SET UP WITH TRIPOD IN LESS THAN 5 MINUTES
- SUPPLIED WITH TRIPOD, CARRY CASE AND 8M CABLE
- DESIGNED AND BUILT TOUGH FOR EXTREME CONDITIONS
- NO UV OR IR RADIATION, EASY INSTALLATION AND MAINTENANCE



- DIE-CAST ALUMINIUM FRAME WITH STEEL BRACKET, IP67 RATED
- ULTIMATE COST REDUCTION REPLACEMENT FOR HID / MH FITTINGS
- DIRECT REPLACEMENT FOR 300~1000 WATT MH BALLOON LIGHT



DEPARTMENTS:

Hire companies
Civil security
Firefighters
Police & military
Emergency departments

DESIGNED FOR USE IN:

- INDUSTRIAL & MAINTENANCE
- CONSTRUCTION PROJECTS
- GENERAL AREA LIGHTING
- CIVIL & EXHIBITION
- MINE SITES
- ROAD WORKS

03



MODEL	W	COLOUR (Temperature)	LUMEN	DRIVER	V	MATERIAL	IP	IK	LIGHT Source	TEMPERATURE (Working)	DIMENSION	WEIGHT
WORK FLARE-C	100	3000K 4000K 5000K	11000	MEANWELL	100-277AC	ALUMINIUM ALLOY & PC	IP67	IK10 (cover) IK10 (housing)	CREE	-40°C + 50°C	φ406mm 356mm	4.6kg
	160	3000K 4000K 5000K	17600	MEANWELL	100-277AC	ALUMINIUM ALLOY & PC	IP67	IK10 (cover) IK10 (housing)	CREE	-40°C + 50°C	φ406mm 356mm	4.6kg
	320	3000K 4000K 5000K	35200	MEANWELL	100-277AC	ALUMINIUM ALLOY & PC	IP67	IK10 (cover) IK10 (housing)	CREE	-40°C + 50°C	φ406mm 496mm	9.5kg



MORE PRODUCT RANGE ON OUR WEBSITE.

Model	WORK FLARE-C		
Rated Power	100W	160W	320W
Lumens flux output	11000lm	17600lm	35200lm
Correlated color temperature	5000K (Options: 2700K - 6500K)		
Operating voltage range	AC 100-277V, 50/60Hz		
Frequency range	47-63Hz		
Input current	0.4A/230V	0.75A/230V	1.5A/230V
Power factor	>0.90 / 230VAC		
Operating temperature	-40°C to 50°C		
Ingress protection	IP67		
IK Impact rating	IK10(housing) / IK10(Cover)		
Weight	4.6kg	4.6kg	9.5kg
LED type	CREE		
Driver brand	MeanWell		

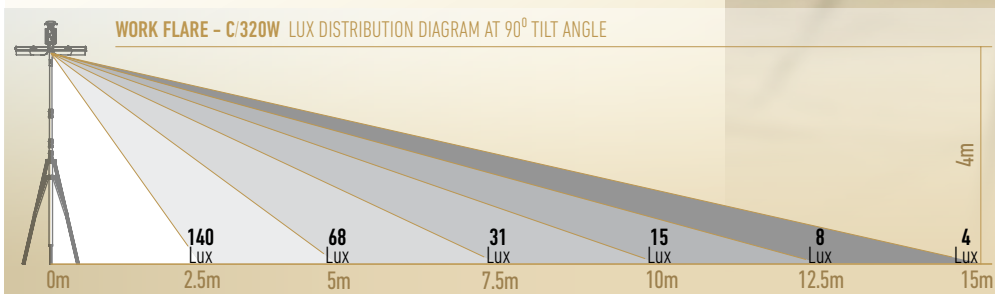
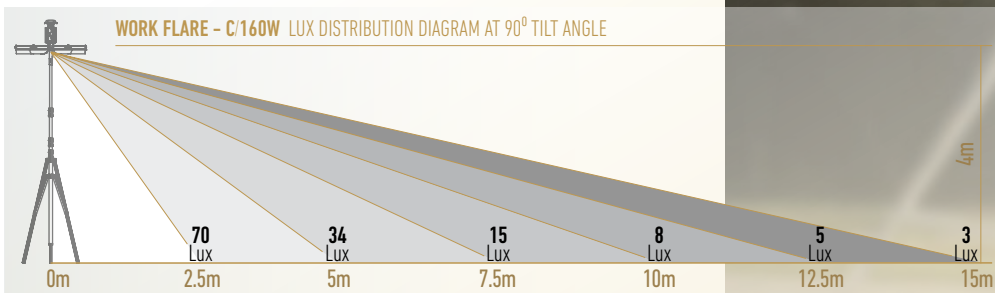
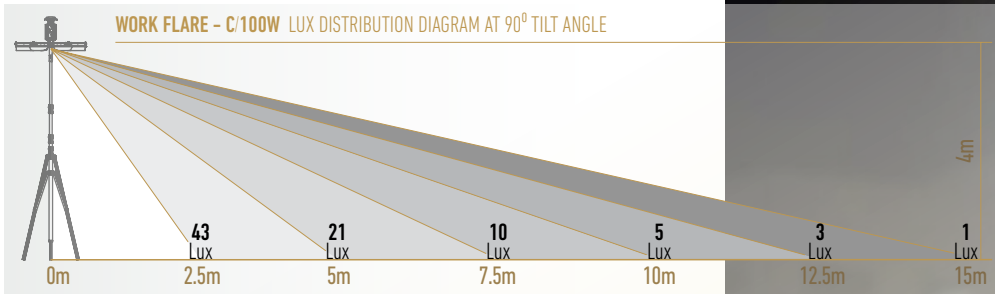
IMPROVE YOUR SAFETY WITH BETTER LIGHTING QUALITY & REDUCE YOUR ENERGY CONSUMPTION.

Work-Flare LED series is designed to efficiently light any large industrial, civil exhibition or mine site operation.



Dimensions	000W	φ406 x 356mm
	160W	φ406 x 356mm
	320W	φ406 x 496mm
Body	Aluminum alloy	
Driver box	Casting aluminum	
Bracket	Hot rolled carbon steel	
Lens	Polycarbonate glass	
Mounted height	2-6 Meters	
Dimmable	Optional	
Beam angle	X:220° Y:220°	
Warranty period	3 years mobile & 5 years fixed	

World-class performance, advanced energy efficiency and new optical technology in one sleek package.



MORE PRODUCT RANGE ON OUR WEBSITE.

